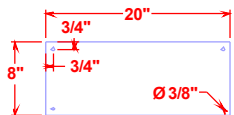
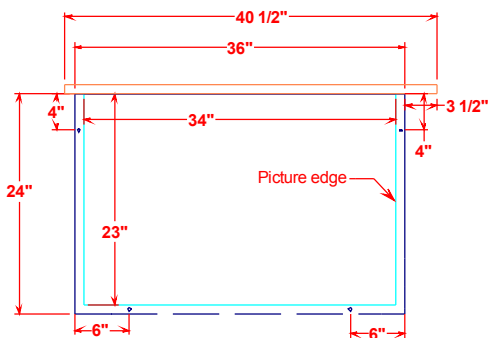


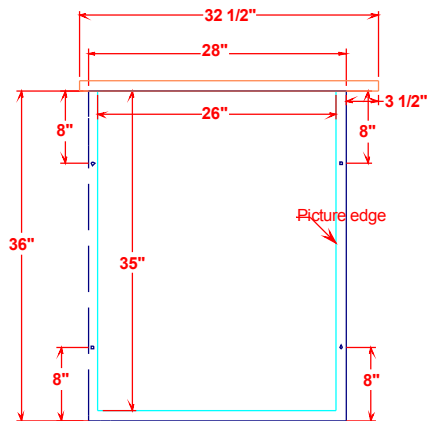
Panel C



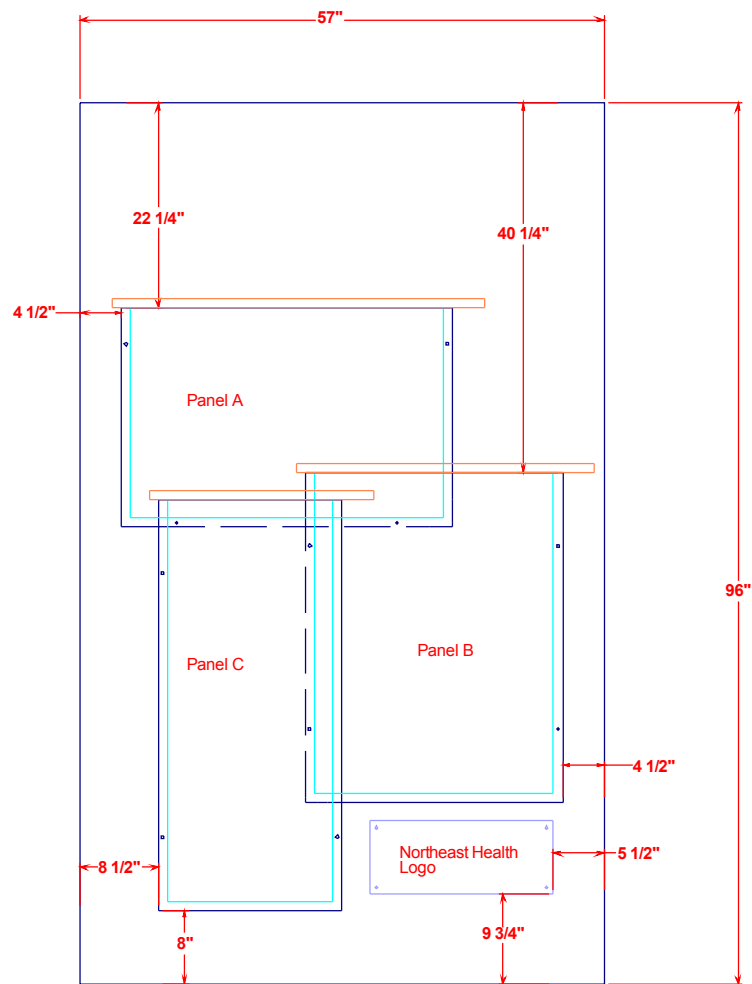
Northeast Health Logo  
1/4" tempered glass



Panel A



Panel B



Center panel with display panels

Prepared for: Northeastern Health  
Project: Donor Wall  
Drawing Number: 11  
Drawing by: Rob Dobrowski  
Date: September 29, 2005